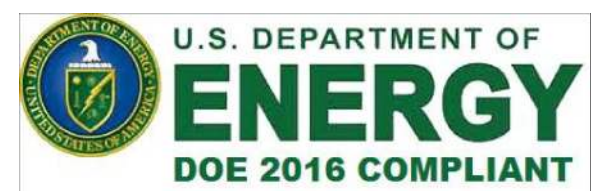
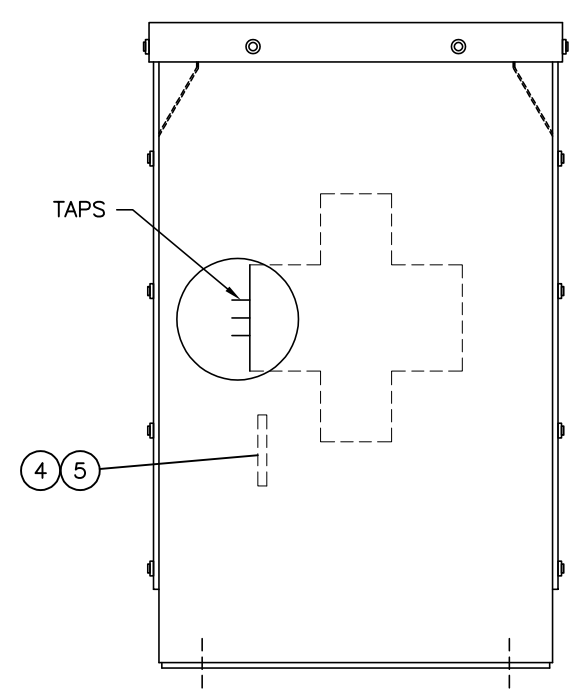
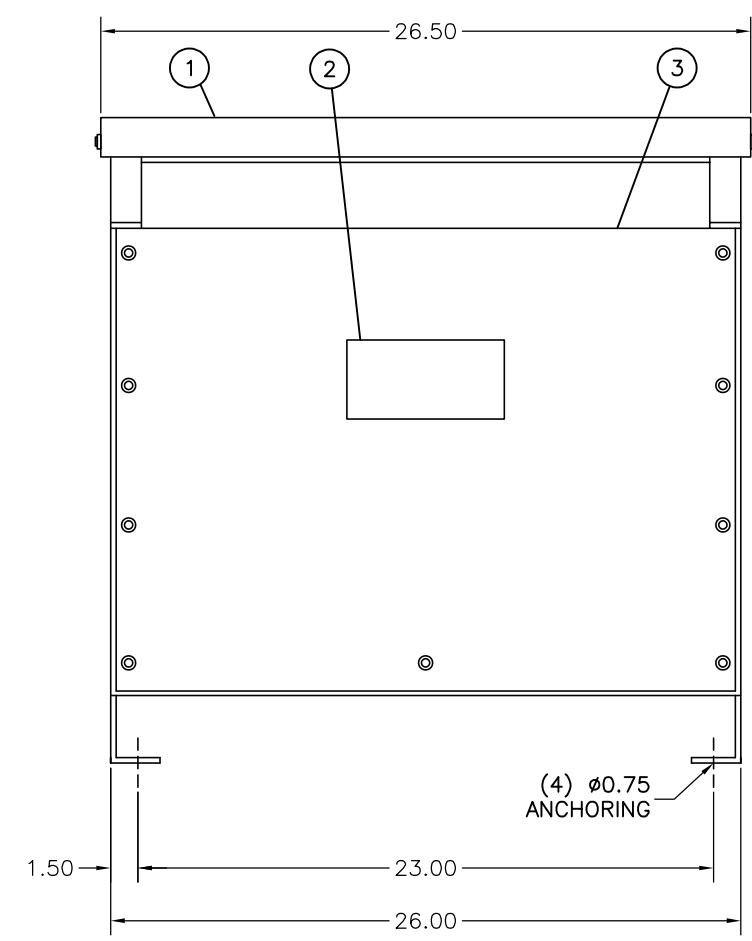
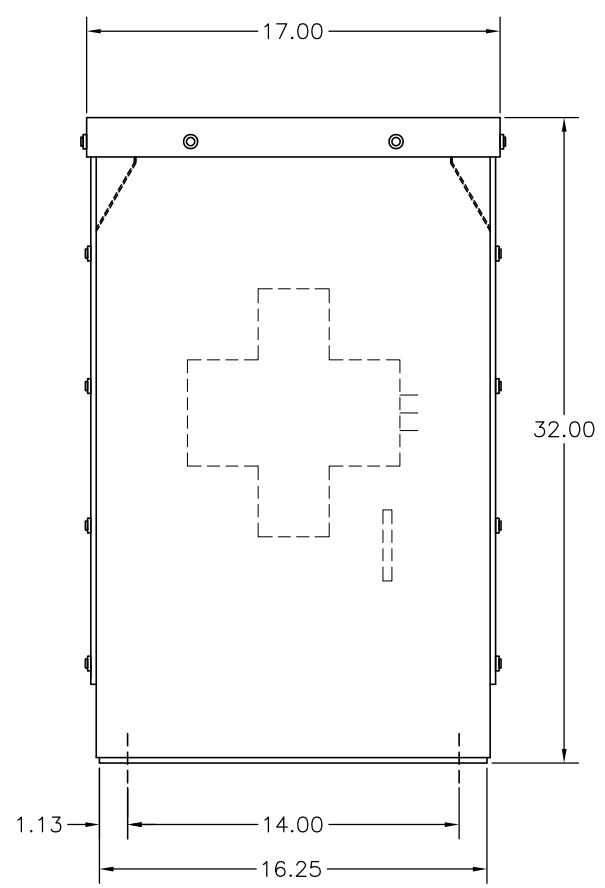


LEGEND		
ITEM	QTY	DESCRIPTIONS
1	1	TOP COVER - REMOVABLE
2	1	DIAGRAMATIC NAMEPLATE
3	2	FRONT & REAR PANEL - REMOVABLE
4	4	HV TERMINAL
5	3	LV TERMINAL

REFERENCE
ONLY



HT45C3D2-D16



S.O. NO: _____
 DWG FOR: RECORD APPROVAL QUOTE

CUST/JOB NAME: -
 CUST ORDER NO: -
 SERIAL NO: -
 ID TAG: -

KVA:	45 (SEE NOTE #6)
HIGH VOLTAGE:	240 DELTA (X1-X2-X3)
LOW VOLTAGE:	480Y/277 (H0-H1-H2-H3)
LV TAPS:	2A4B 2.50%
HV-KV BIL:	10
LV-KV BIL:	10
PHASE:	3
FREQ-HZ:	60
TEMP RISE-°C:	150
COOLING CLASS:	AA
INSULATION CLASS:	220°C
WINDING COND:	ALUMINUM
PAINT/COATING:	ANSI 61 GRAY
APPRX WT-LBS / KGS:	400/181

STANDARD DOE K4 K9 K13 K20

- NOTES:**
- TRANSFORMERS ARE MANUFACTURED AND TESTED PER APPLICABLE ANSI, NEMA AND IEEE STDS, LATEST REVISION.
 - UNLESS OTHERWISE SPECIFIED, ALL DIMENSIONS ARE IN INCHES WITH ± 0.25" TOLERANCE.
 - TRANSFORMER IS UL & CUL LISTED AND LABELED.
 - TRANSFORMER SOUND LEVEL IS 45dB (IEEE STANDARD).
 - DOE 10CFR 431, 2016 EFFICIENCY CODE - 45 KVA TRANSFORMER MEETS OR EXCEEDS EFFICIENCY = 98.40% @ 75°C AND 35% LOAD.
 - TRANSFORMER IS DESIGNED FOR STEP-UP APPLICATION.
 - TRANSFORMER DESIGNED FOR INDOOR (NEMA 1) AND OUTDOOR (NEMA 3R) APPLICATION.
 - TRANSFORMER NOT TO BE INSTALLED IN PUBLIC ACCESS AREAS OTHERWISE IT MUST BE FENCED OR ISOLATED.

PAGE 1 OF 1		SCALE: NONE	TITLE:
BY:	DATE:		TRANSFORMER OUTLINE DRY TYPE <input checked="" type="checkbox"/> INDOOR GENERAL PURPOSE, CASE B <input checked="" type="checkbox"/> OUTDOOR
MECH:			
ELEC:			
APPD:			
REVISIONS			

CAD NO. **MG00045N3-45CD** REV. _____